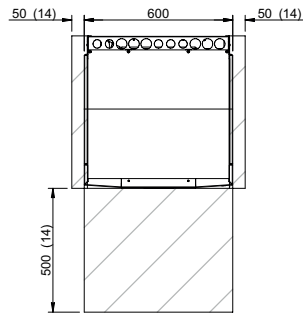
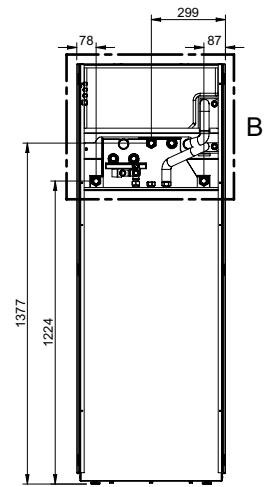
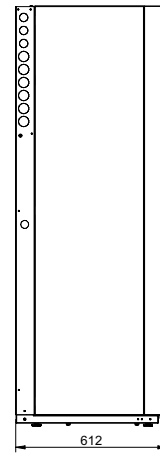
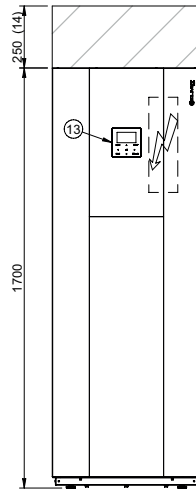
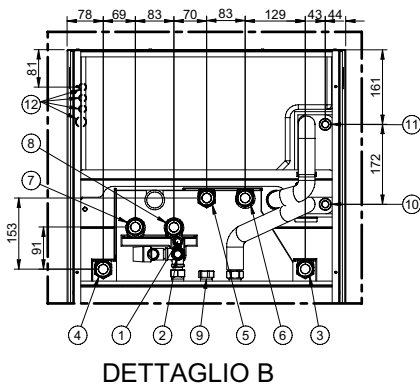


Dimensional drawings

EASYTANK 190 L

DAATL0001 REV01
DATA/DATE:10/11/2023



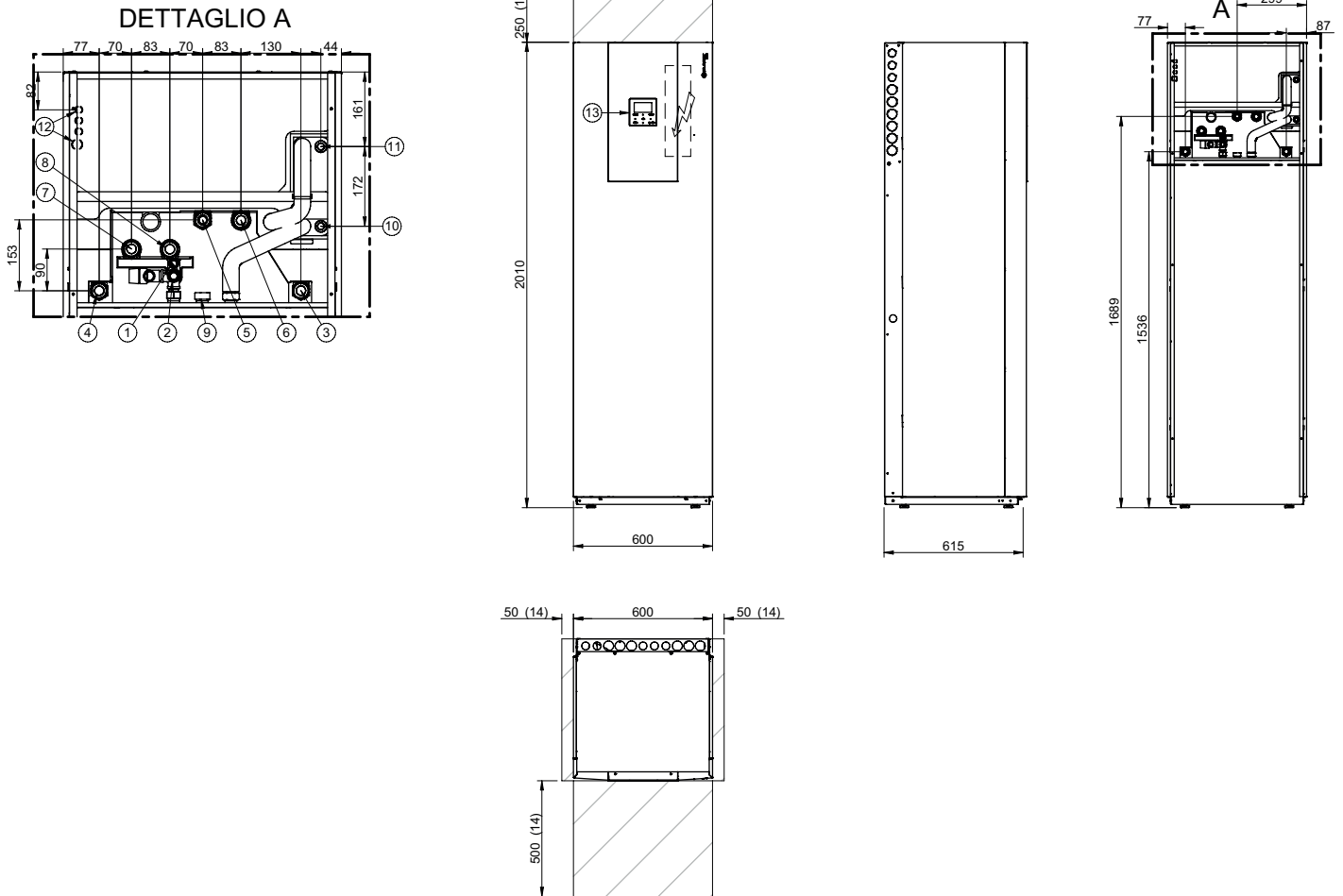
1. Domestic hot water outlet M 1/2"
2. Water supply system inlet F 1/4"
3. Return to outdoor unit M 1"
4. Supply from outdoor unit M 1"
5. Return from user side system M 1" area 1
6. Supply to user side system M 1" area 1 (optional accessory)
7. Return from user side system M 1" area 2 (optional accessory)
8. Supply to user side system M 1" area 2 (optional accessory)
9. DHW circulation circuit inlet M 3/4"
10. Return from solar system M 3/4" (optional accessory)
11. Supply to solar system M 3/4" (optional accessory)
12. Power input
13. Control keypad
14. Functional spaces for standard unit

SIZE		190 L
Operating weight	kg	357
Shipping weight	kg	158

The presence of optional accessories may result in significant variation of the weights indicated.

EASYTANK 250 L

DAATL0002 REV01
DATA/DATE:10/11/2023



1. Domestic hot water outlet M 1/2"
2. Water supply system inlet F 1/2"
3. Return to outdoor unit M 1"
4. Supply from outdoor unit M 1"
5. Return from user side system M 1" area 1
6. Supply to user side system M 1" area 1 (optional accessory)
7. Return from user side system M 1" area 2 (optional accessory)
8. Supply to user side system M 1" area 2 (optional accessory)
9. DHW circulation circuit inlet M 3/4"
10. Return from solar system M 3/4" (optional accessory)
11. Supply to solar system M 3/4" (optional accessory)
12. Power input
13. Control keypad
14. Functional spaces for standard unit

SIZE	250 L	
Operating weight	kg	417
Shipping weight	kg	175

The presence of optional accessories may result in significant variation of the weights indicated.