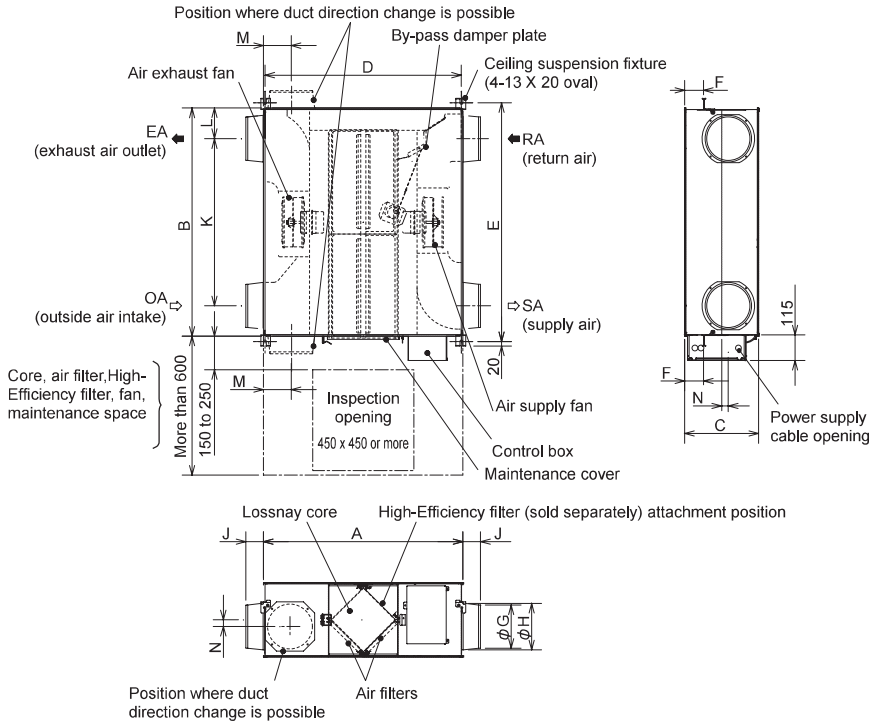


# Outline drawings

## LGH-15 to 100 RVX-E



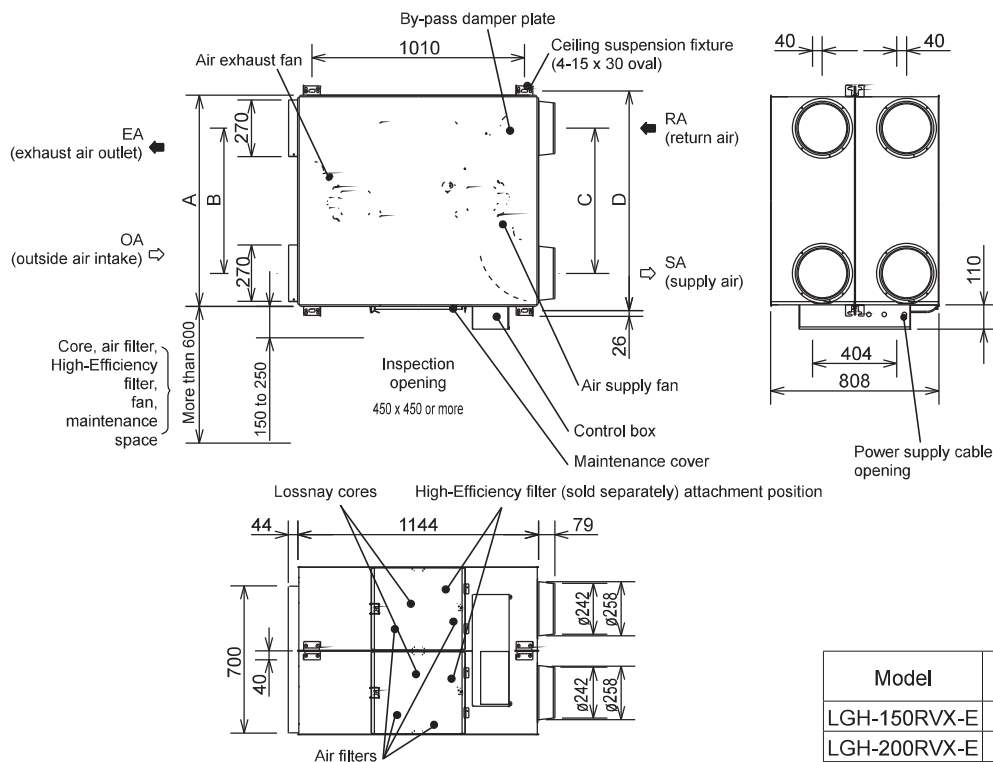
### Accessory parts

- Mounting screws 4-8 for duct flanges .....x16
- Mounting screws M5-10 for ceiling suspension fixture.....x4
- Duct connecting flanges .....x4
- Screw cap .....x6
- Slim-Lossnay connection cable (gray: two wires) .....x1

Unit (mm)

Model	Dimensions			Ceiling suspension fixture pitch			Nominal diameter	Duct connecting flange			Duct pitch				Weight (kg)
	A	B	C	D	E	F		G	H	J	K	L	M	N	
LGH-15RVX-E	780	610	289	768	658	65	100	97.5	110	54	450	80	119	50	20
LGH-25RVX-E	780	735	289	768	782	65	150	142	160	64	530	102.5	102	30	23
LGH-35RVX-E	888	874	331	875	921	85	150	142	160	64	650	112	124	55	30
LGH-50RVX-E	888	1016	331	875	1063	85	200	192	208	79	745	135.5	124	30	33
LGH-65RVX-E	908	954	404	895	1001	70	200	192	208	79	692	131	124	-	38
LGH-80RVX-E	1144	1004	404	1131	1051	77	250	242	258	79	690	157	165	40	48
LGH-100RVX-E	1144	1231	404	1131	1278	77	250	242	258	79	917	157	165	40	54

## LGH-150 and 200 RVX-E



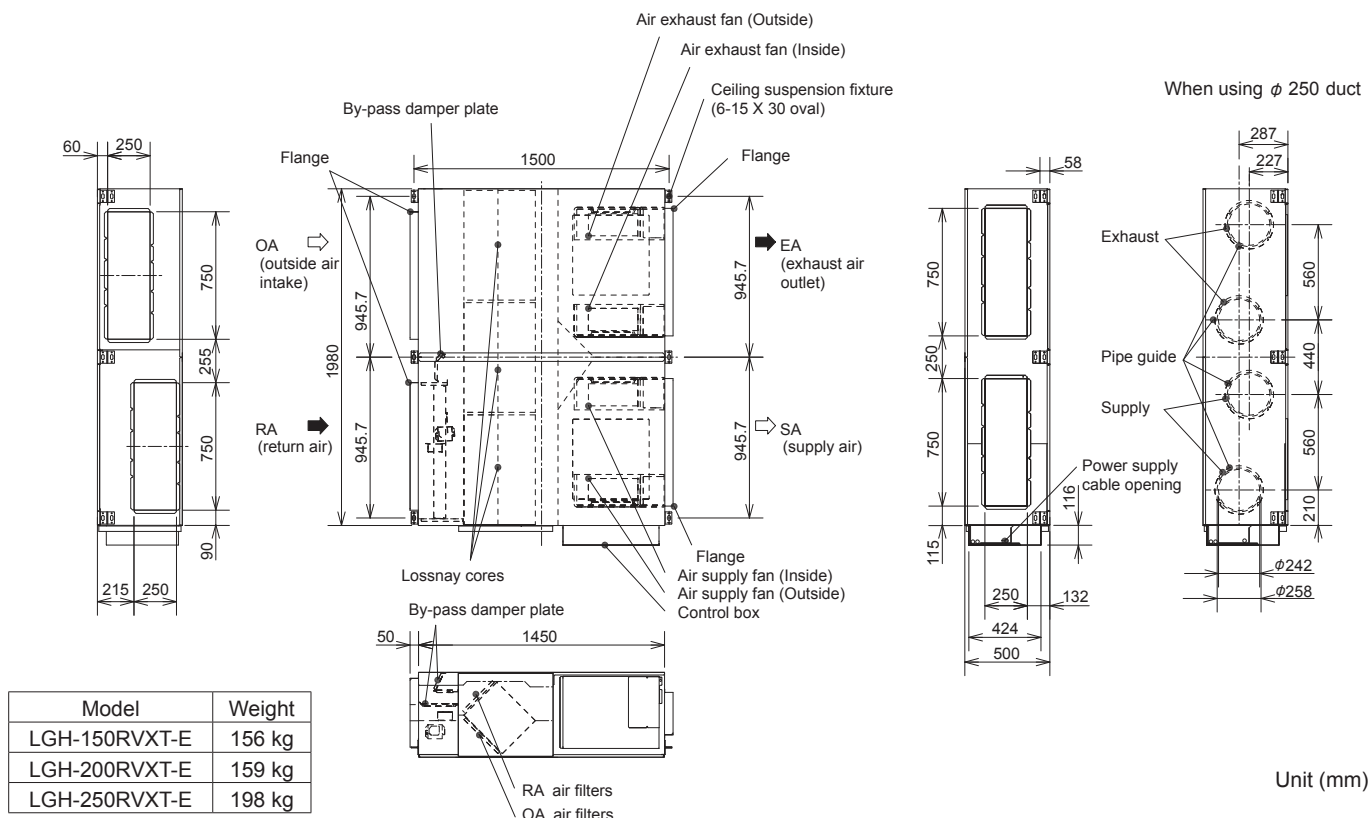
### Accessory parts

- Mounting screws 4-8 for duct flanges .....x16
- Duct connecting flanges .....x4
- Screw cap .....x6
- Slim-Lossnay connection cable (gray: two wires) .....x1

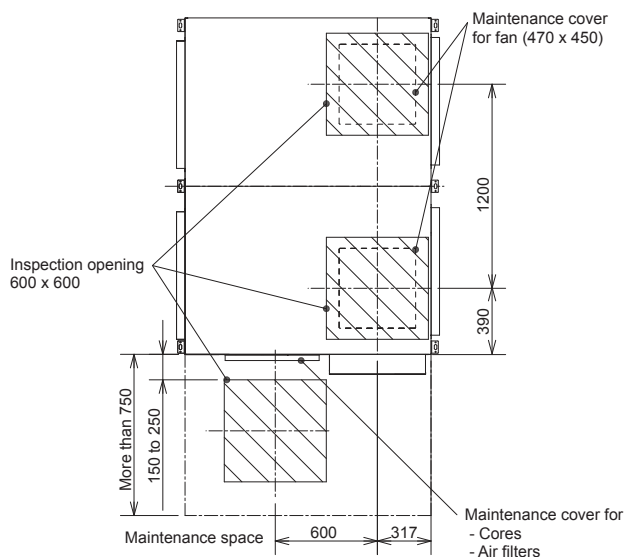
Unit (mm)

Model	A	B	C	D	Weight (kg)
LGH-150RVX-E	1004	690	690	1045	98
LGH-200RVX-E	1231	917	917	1272	110

# Outline drawings



## Reference for maintenance space



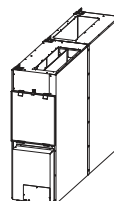
## Accessory parts

- Mounting screws 4-8 for duct flanges ..... x50  
(2 pcs are spare)
- Duct connecting flanges (ø250) ..... x4
- L shape pieces for 250 x 750 duct flanges ..... x8
- Slim-Lossnay connection cable (gray: two wires) ..... x1

## Before installation

- Accessory parts are in the Lossnay unit (OA duct place) together with manuals. Please remove all accessory parts before starting installation.
- Damper plate is fixed against transportation vibration. Please make it free before starting installation.

- If carrying the product into the building is difficult due to the product's size, it is possible to stand the product up like the picture below.



### CAUTION

- Before standing the product up, remove the Lossnay cores and filters (See page 3 of the operating instructions.)